

FICHE D'HOMOLOGATION / HOMOLOGATION FORM

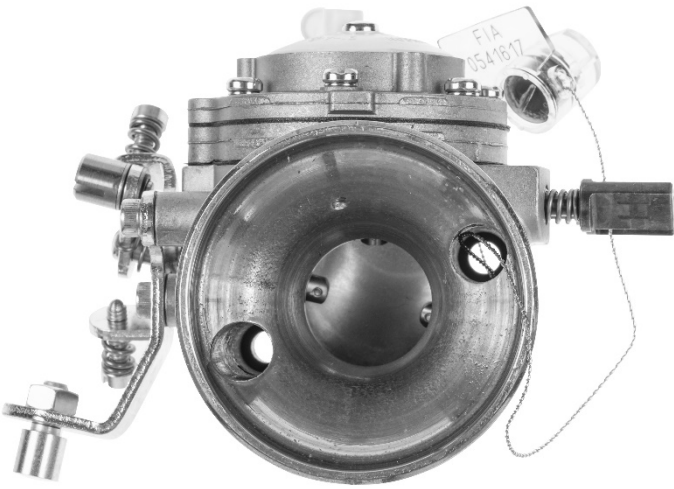
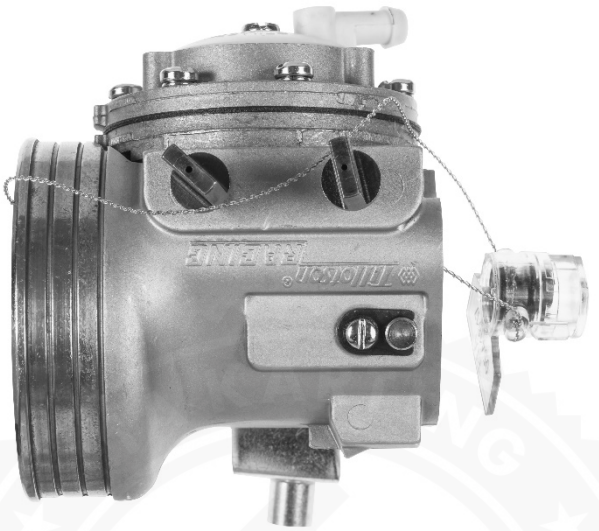

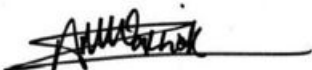


042-CA-70



COMMISSION INTERNATIONALE DE KARTING - FIA



CARBURATEUR / CARBURETTOR OK-N

Constructeur / <i>Manufacturer</i>	Tillotson Ltd.
Marque / <i>Make</i>	Tillotson
Modèle / <i>Model</i>	HW-49
Catégorie / <i>Categorie</i>	Group 2
Durée de l'homologation / <i>Validity of the Homologation</i>	3 ans / 3 years
Nombre de pages / <i>Number of pages</i>	6
La présente Fiche d'Homologation reproduit descriptions, illustrations et dimensions du carburateur au moment de l'homologation CIK-FIA.	<i>This Homologation Form reproduces descriptions, illustrations and dimensions of the carburettor at the moment of the CIK-FIA homologation.</i>
	
Photo côté aspiration / <i>Photo of inlet side</i>	Photo côté réglage / <i>Photo of adjusting side</i>
Signature et tampon de l'ASN / <i>Signature and stamp of the ASN</i>	Signature et tampon de la CIK-FIA / <i>Signature and stamp of the CIK-FIA</i>
 	 

042-CA-70

Photo vue arriere / Photo view from behind

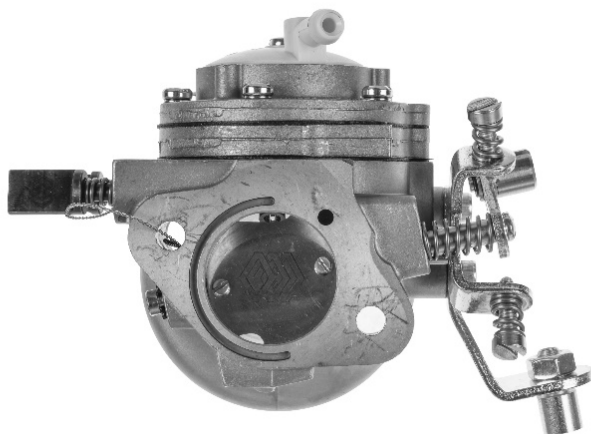


Photo côté oppose réglage / Photo opposite to adjusting side

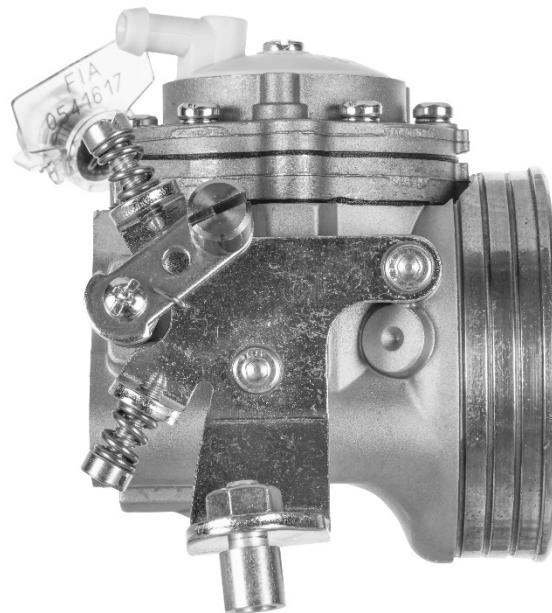


Photo vue de dessus / Photo view from above

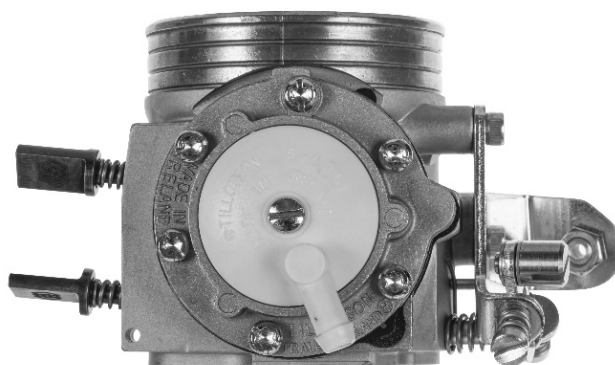
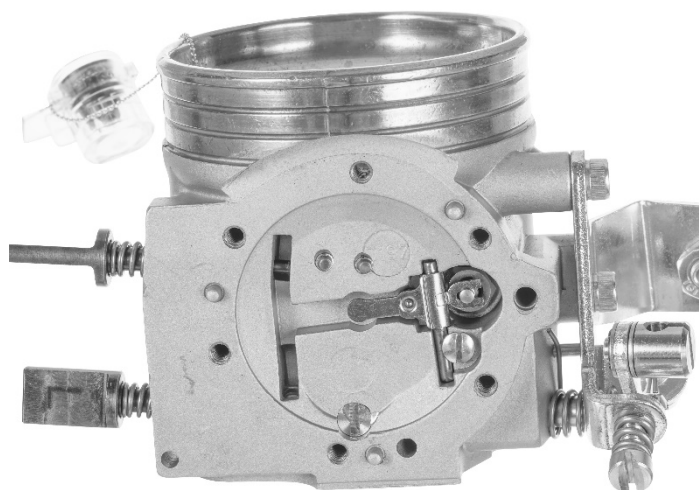


Photo vue de dessous / Photo view from underneath



Photo vue de dessus / Photo view from above (body)

**Photo côté aspiration (vue additionnelle) /
Photo of inlet side (additional view)**

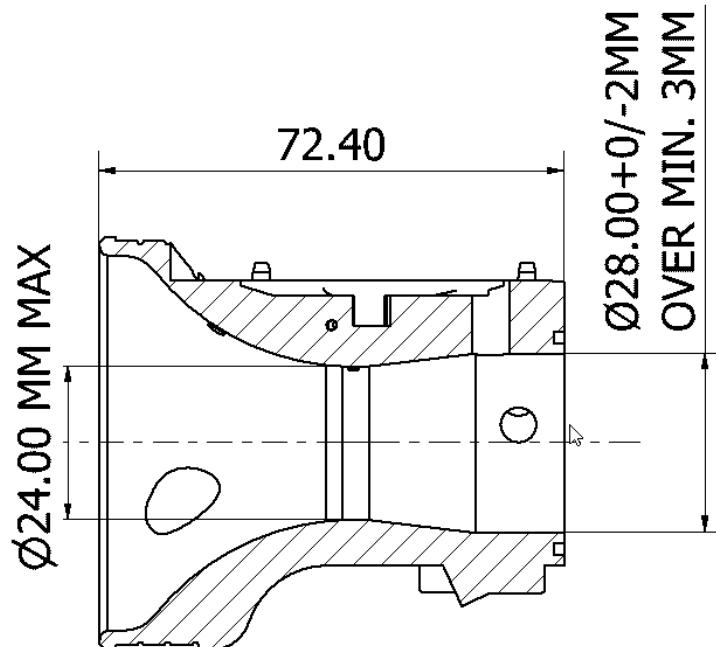


**Photo vue arriere (vue additionnelle) /
Photo view from behind (additional view)**

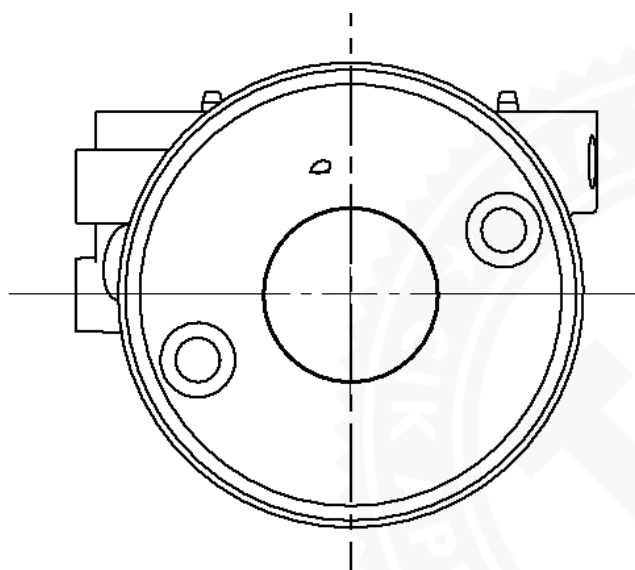


**Vue en section conduit d'aspiration /
Inlet port section view**

Echelle 1:1 / 1:1 Scale

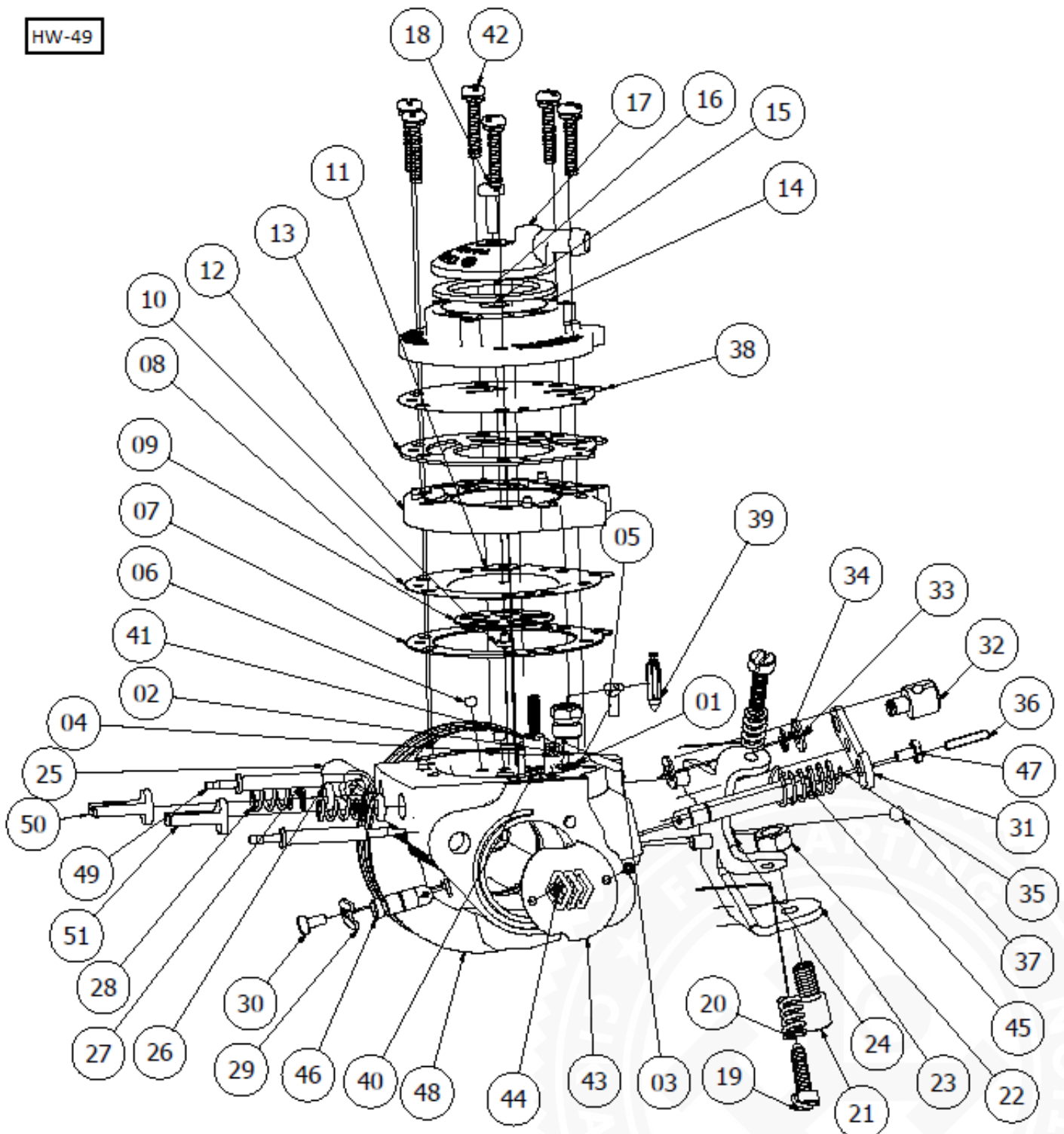
**Vue de face côté aspiration /
Inlet side front view**

Echelle 1:1 / 1:1 Scale



Description du carburateur et esquisse des pièces / Carburettor description and sketch of parts

HW-49



Description du carburateur et esquisse des pièces / *Carburettor description and sketch of parts*

HW-49

PARTS LIST	
ITEM	DESCRIPTION
01	* COPPER GASKET, INLET SEAT
02	* INLET SEAT
03	FULCRUM LEVER PIN
04	* INLET VALVE CONTROL LEVER
05	FULCRUM LEVER SCREW
06	BRASS PLUG
07	*+ METERING GASKET
08	DIAPHRAGM
09	DIAPHRAGM PLATE
10	DIAPHRAGM BUTTON
11	WASHER
12	FUEL PUMP BODY
13	*+ PUMP GASKET
14	FUEL PUMP BODY
15	FUEL STRAINER SCREEN
16	*+ STRAINER GASKET
17	WHITE STRAINER COVER
18	COVER SCREW
19	LIMITER SCREW
20	SPEED CREW SPRING
21	M6 X 1 CABLE HOUSING SCREW
22	M6 X 1 NUT
23	CABLE BRACKET
24	M4 X 0.7 SOCKET CAP SCREW
25	CARBURETTOR MOUNTING NUT
26	ADJUSTMENT SCREW O-RING
27	ADJUSTMENT SCREW WASHER
28	ADJUSTMENT SCREW SPRING
29	THROTTLE SHAFT CLIP
30	4-40 UNC SCREW
31	THROTTLE LEVER
32	CABLE CONNECTOR
33	WASHER
34	E-CLIP
35	THROTTLE RETURN SPRING
36	PIN
37	4MM BRASS BALL
38	FUEL PUMP DIAPHRAGM
39	* INLET NEEDLE
40	IDLE NOZZLE
41	INLET TENSION SPRING 37g
42	6 - 32 UNC SCREW
43	THROTTLE SHUTTER
44	M2 X .4 SCREW
45	SPLIT THROTTLE SHAFT LONG
46	SPLIT THROTTLE SHAFT SHORT
47	LEVER SCREW
48	HW MACHINED BODY
49	M4 X 0.5 ADJUSTMENT SCREW
50	ADJUSTMENT SCREW CAP H
51	ADJUSTMENT SCREW CAP L

**Substitutions sont autorisées uniquement avec les pièces originales TILLOTSON /
Replacement is allowed only with TILLOTSON original parts**